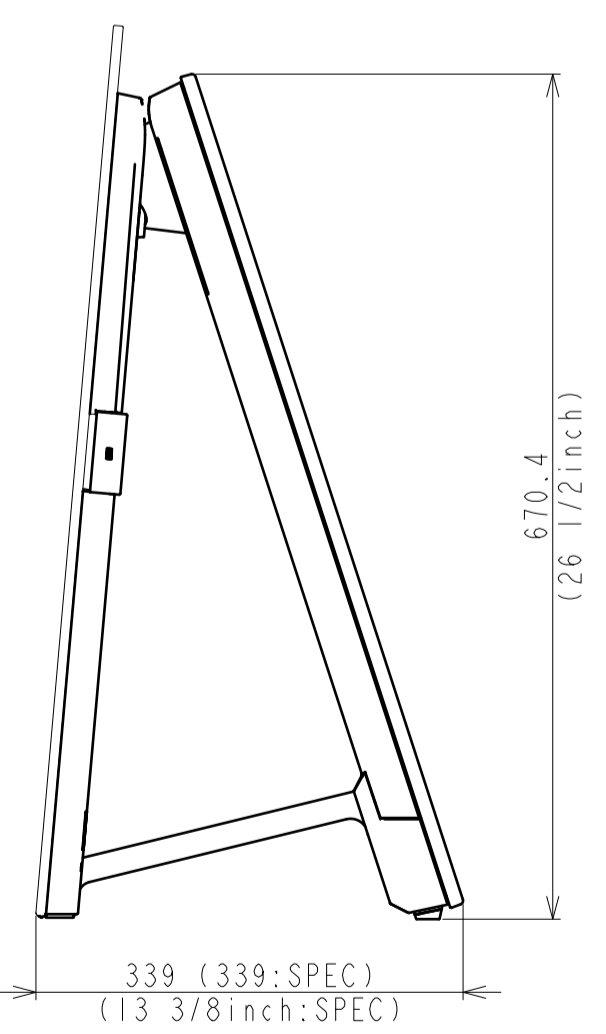
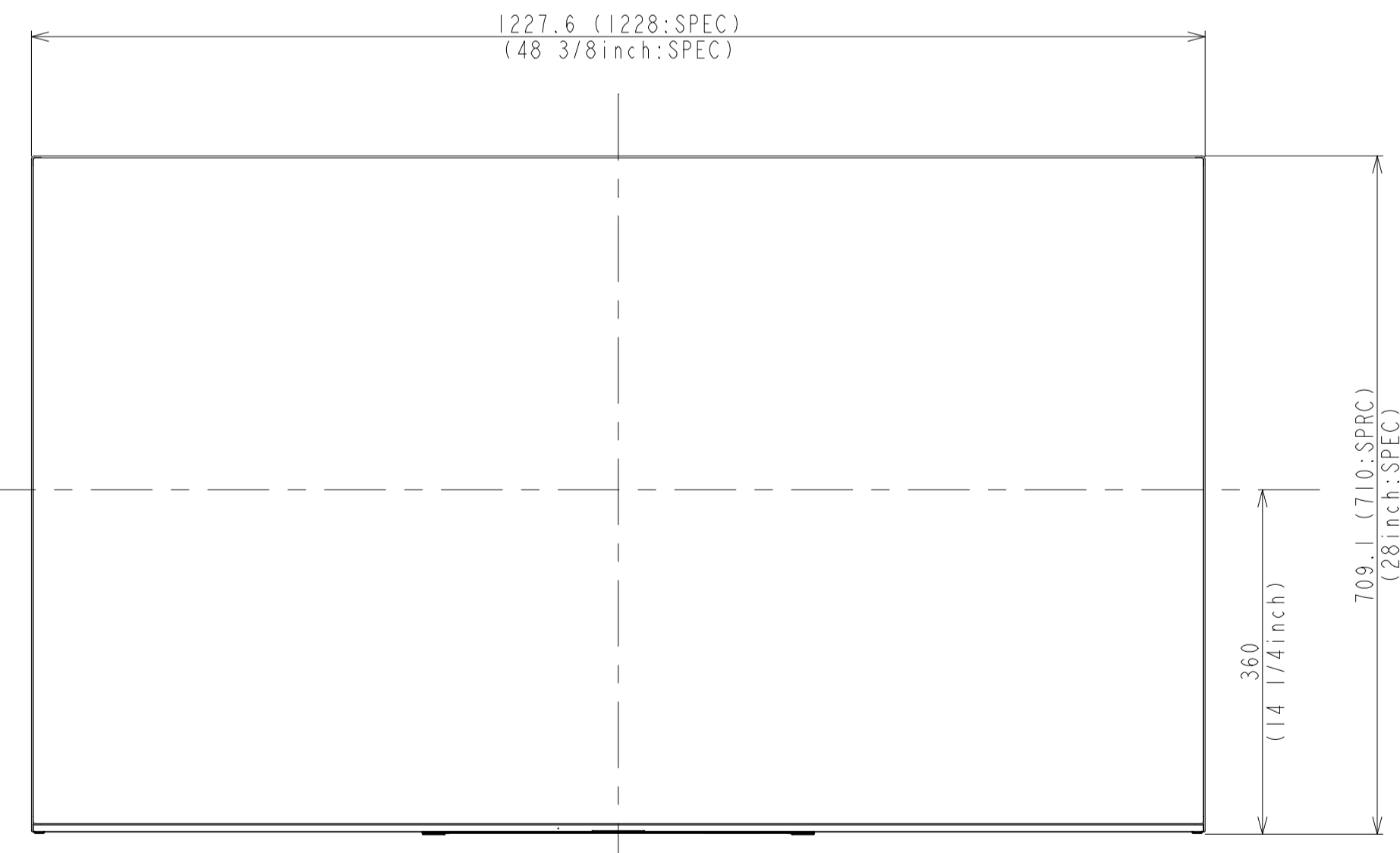
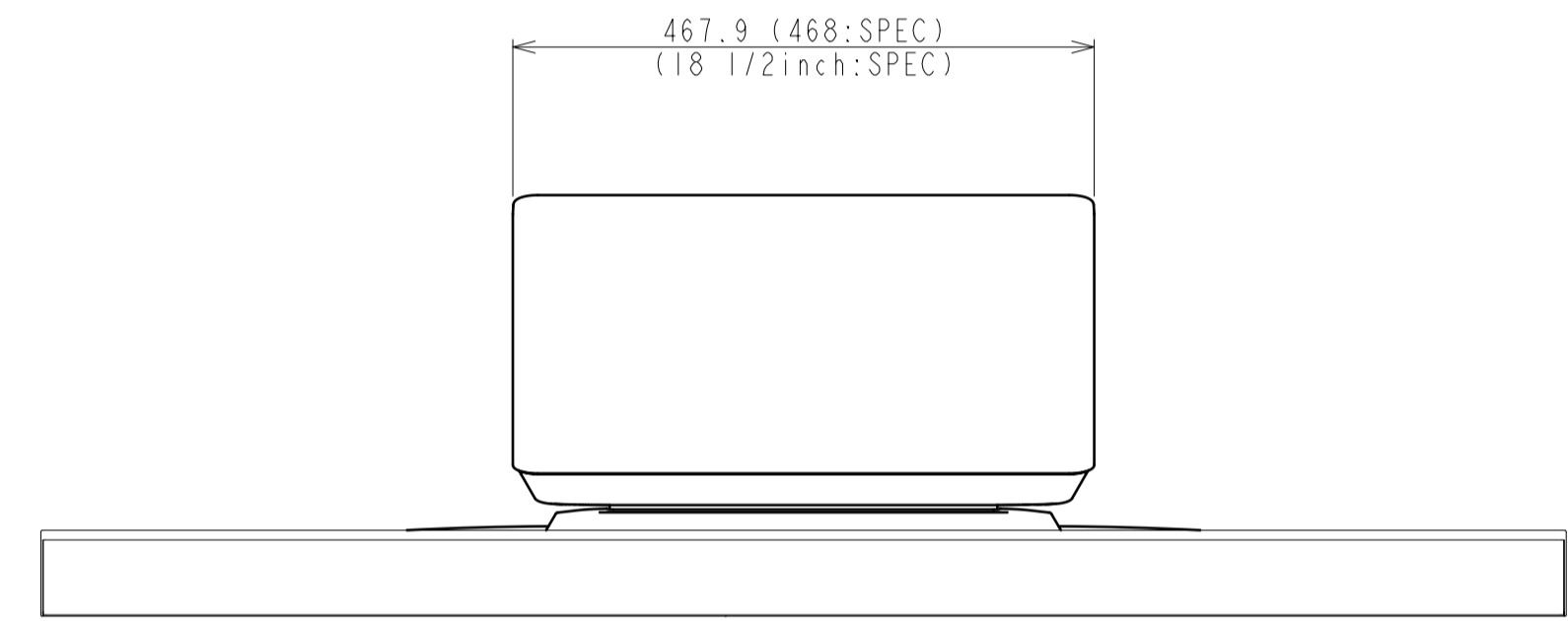
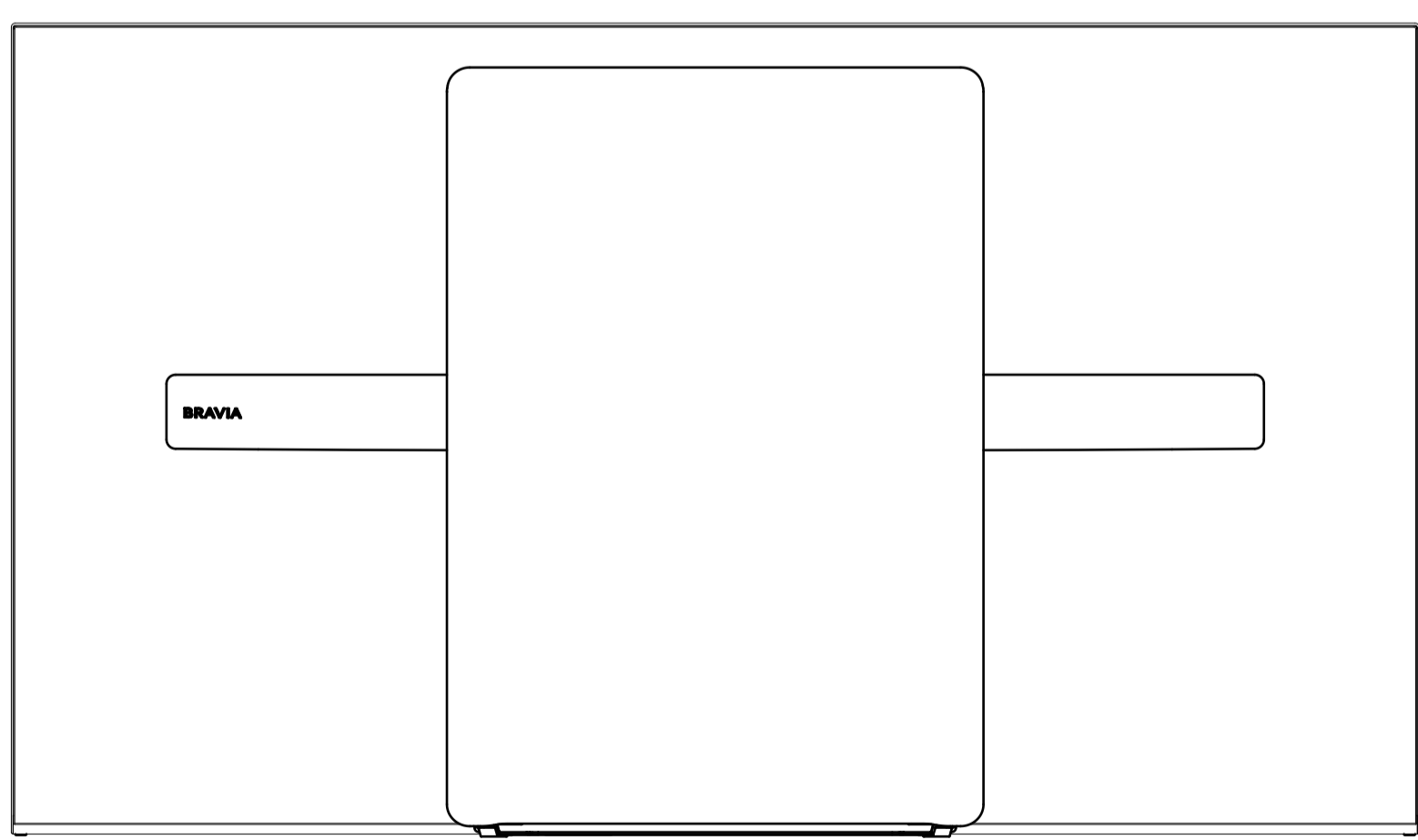
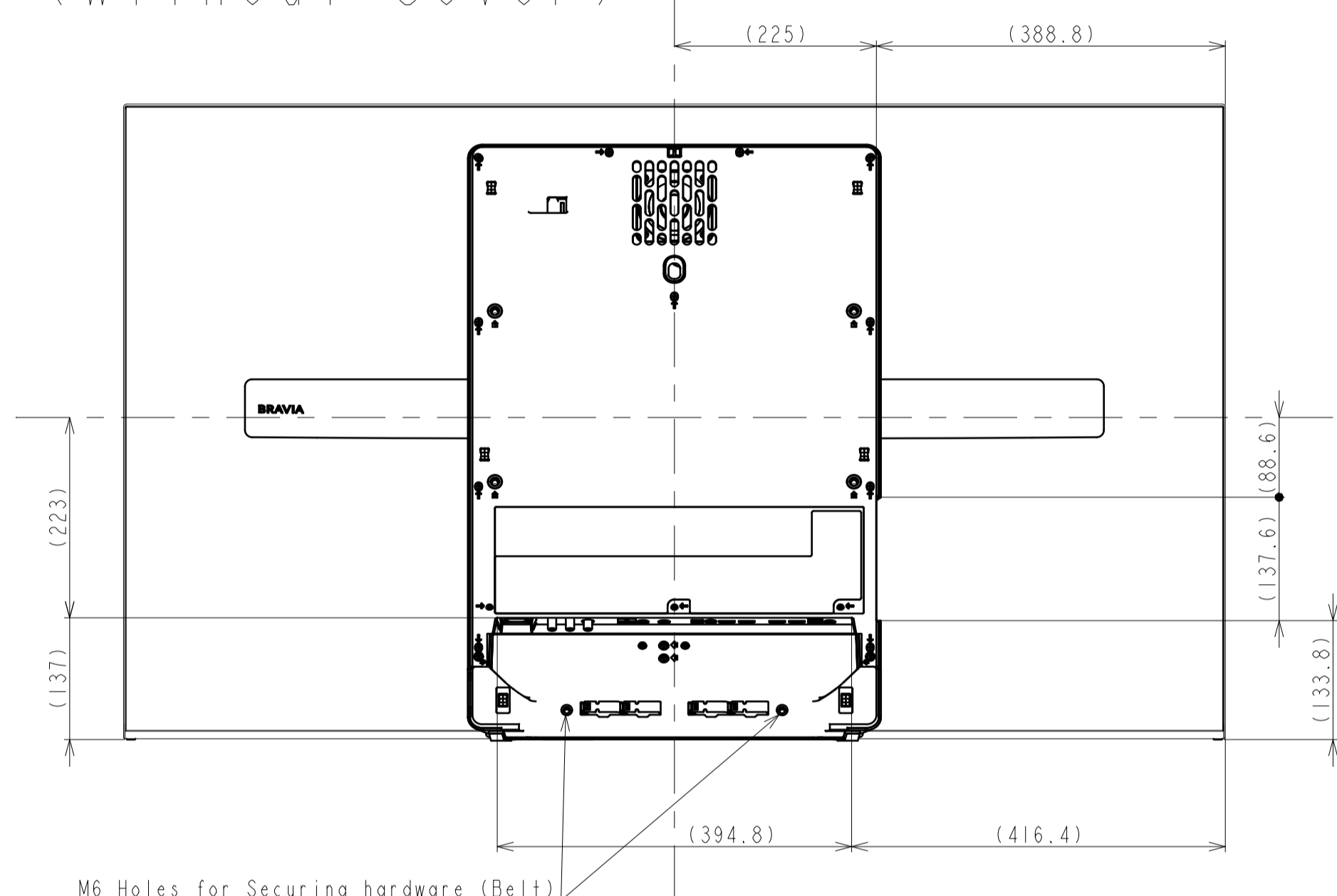


Area	NORTH AMERICA														
Model Name	XBR-55A1E														
SV No.	SV-34003														
DIMENSION	TV only (WxHxD)	1228x711x86(7.8) mm / 48 3/8 x 28 x 3 1/2(5/16) inch													
	TV with Stand (WxHxD)	1228x710x339 mm / 48 3/8 x 28 x 13 3/8 inch													
	Media Receiver (WxHxD)	-													
	Monitor only (WxHxD)	-													
	Monitor with Stand (WxHxD)	-													
	Media Receiver with Stand (WxHxD)	-													
	Satellite Speaker (WxHxD)	-													
	Stand Width	468 mm / 18 1/2 inch													
WEIGHT	TV only	25.0 Kg / 55.1 lb													
	TV with Stand	28.8 Kg / 63.5 lb													
Remarks	Media Receiver	-													
	Monitor only	-													
	Monitor with Stand	-													
	Media Receiver with Stand	-													
	Satellite Speaker	-													

TV with Stand

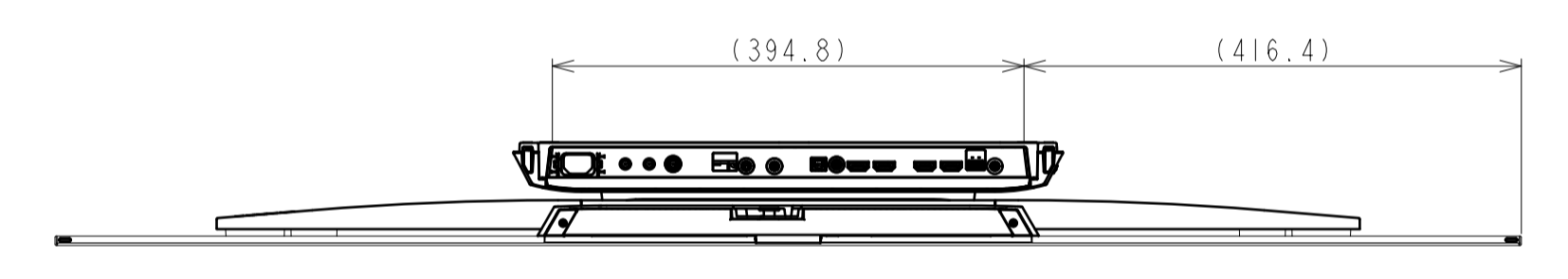
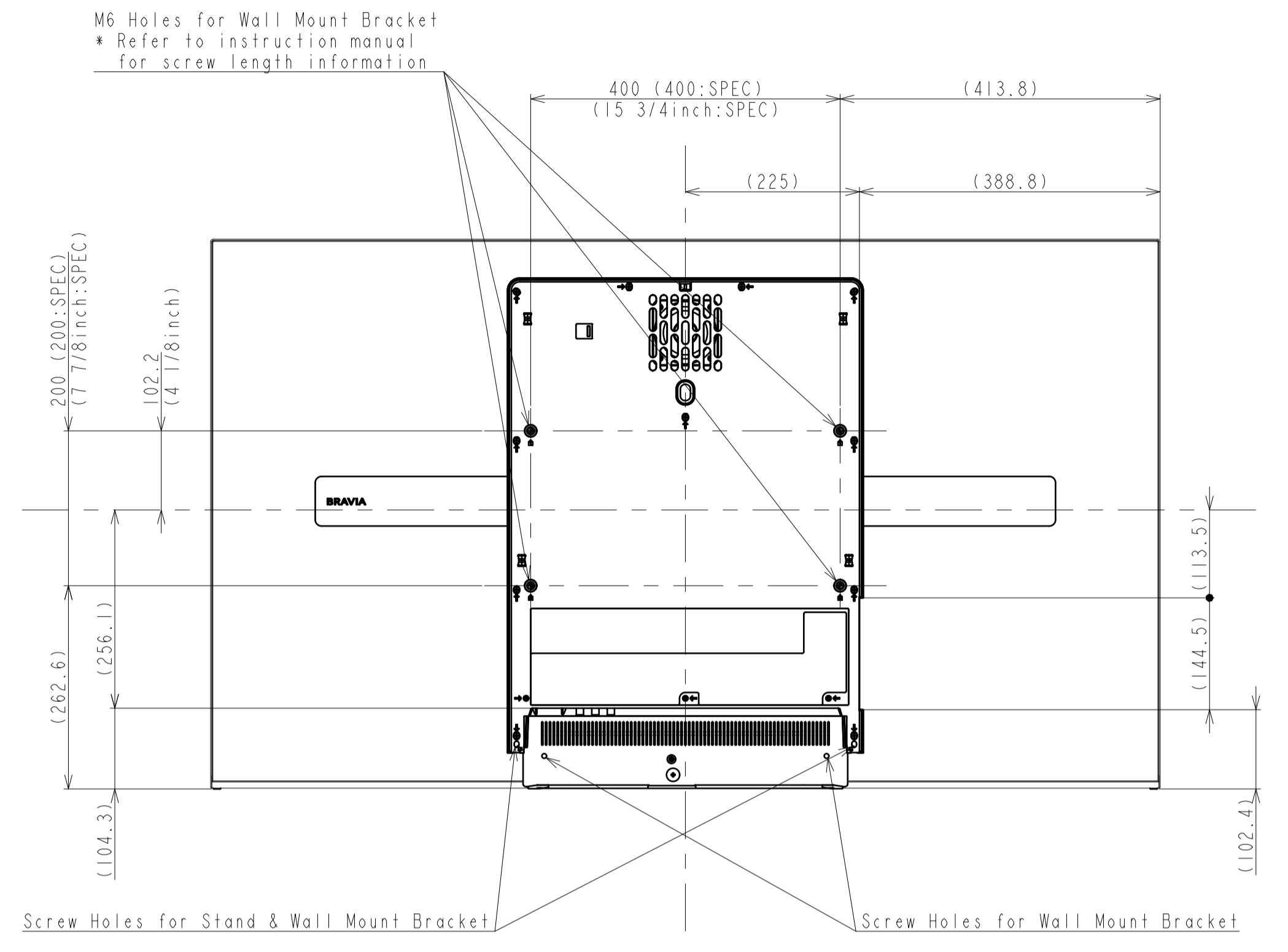
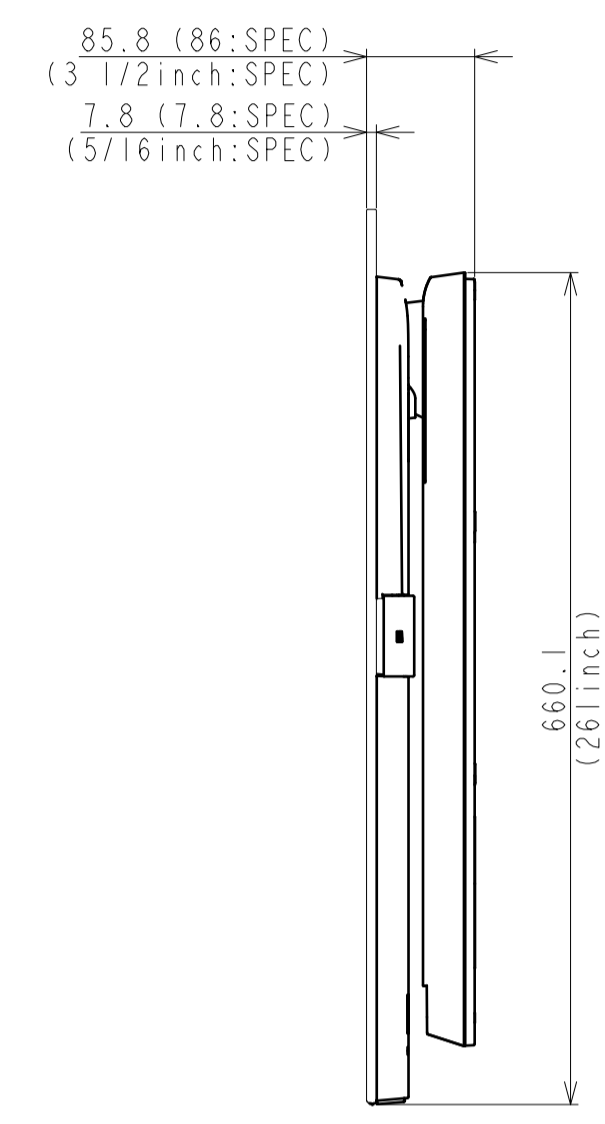
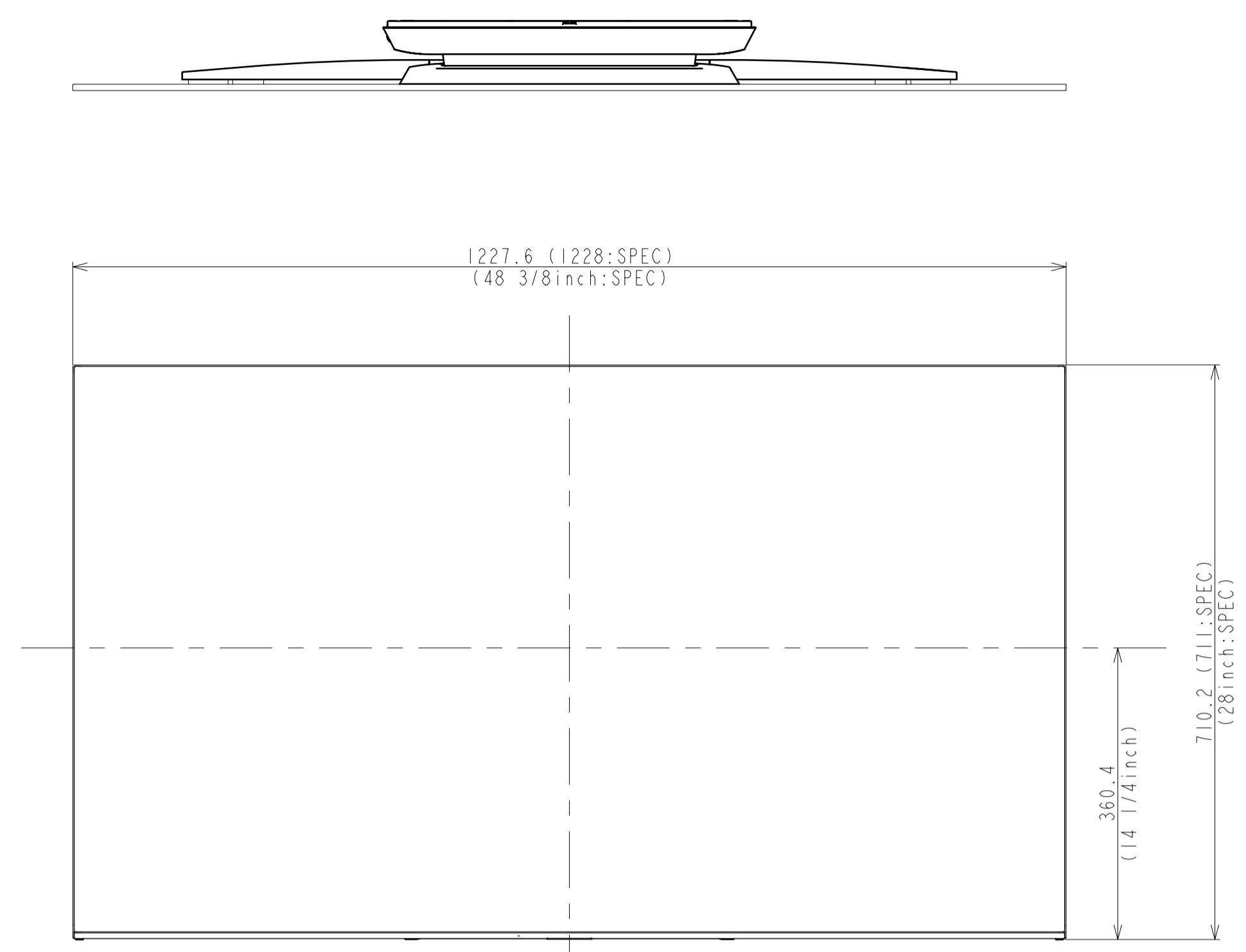


(without Cover)



<table border="1"> <tr> <td>△x</td> <td></td> </tr> <tr> <td>△x</td> <td></td> </tr> <tr> <td>△x</td> <td></td> </tr> </table>		△x		△x		△x		GENERAL TOLERANCE DATE OF ISSUE 2017.01.12 DOCUMENT TYPE EXTERIOR DRAWING TOLERANCING ISO 8015
△x								
△x								
△x								
HISTORY V. COUNT / OFF. IN / PREP. / DATE RELEASE NO. / DATE REVISION SIGN.		MATERIAL COLOR FINISH COLOR						
Sony Corporation RESPONSIBLE DEPARTMENT SVP-TV-PDC MECHANICAL DESIGN PLANNED BY / CHECKED BY / APPROVED BY DRAWN BY			ORIGINAL MODEL 55(A1) EXTERIOR VIEW TENTATIVE MODEL 55(A1) EXTERIOR VIEW TENTATIVE PART NO. PART NO.					
SIZE / UNIT A4 / mm SCALE 1:6 FEED METHOD		SHEET/PAGES 1 / 2						

TV only (without Stand)



SONY STANDARD DRAWING

DESCRIPTION REF: 55(A1) EXTERIOR VIEW	QUAL OWNER: Sony Corporation	SCALE: 1:6
DESCRIPTION E2P: 55(A1) EXTERIOR VIEW	TENTATIVE PART NO.:	PART NO.:
		SHEET/PAGES: 2 / 2